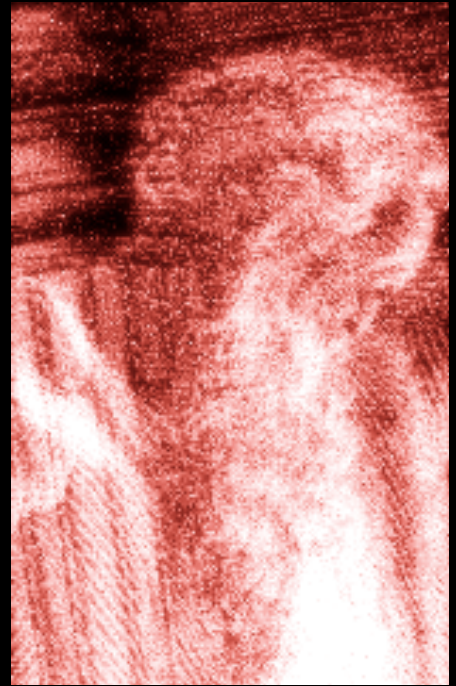


Ezekiel: Retribution & Restoration



Welcome to Ezekiel: Retribution & Restoration with Dr. Jimmy DeYoung

It is our sincere prayer that this video and workbook will help guide you through a profitable study of the prophetic Word of God.

School of Prophets Institute

PO Box 2510
Chattanooga, TN 37409

(423) 825-6247

www.schoolofprophets.org

How to use this Workbook

This workbook was designed to be used with the Ezekiel: Retribution & Restoration CD Series, either as a part of a small group Bible study, such as a Sunday School class or family devotions, or for personal Bible study. You are free to use the workbook as you see fit, but most people seem to get the most out of it when they listen to the audio study CDs with their Bibles and their workbooks open, so they can follow along in God's Word and take notes in the workbook.

There are 7 CDs and 7 lessons in the Workbook. If you are using this in a weekly bible study, you can do one CD a week for 7 weeks.

How this Workbook is set up

The workbook is divided into 7 lessons - each matching a CD in the Ezekiel: Retribution & Restoration audio series. Within each chapter you will find a *Lesson Overview*, a *Follow Along Outline* with fill-in the blanks, and a *Think About This* review of key thoughts for the lesson and gives thought provoking questions for you to answer.

If you have any questions

Please feel free to contact us at the School of Prophets Institute:

School of Prophets Institute

PO Box 2510

Chattanooga, TN 37409

(423) 825-6247

www.schoolofprophets.org

Overview of Ezekiel

I. Ezekiel: A Foundation of Biblical Prophecy

- Biography of Ezekiel
- Message of Retribution
- Message of Restoration

II. A Unique Man & Ministry

- Ezekiel's Peculiar Attributes
- The Four Living Creatures
- How to See the Glory of the Lord

III. The Fall of Lucifer & his Angels

- The Prince of Tyre
- Lucifer's Fall
- UFOs

IV. Dry Bones & Two Sticks

- The regathering
- The restoration

V. Islam & the Alignment of Nations

- The alignment of the nations
- A look at the Islamic world

VI. Esau & the Palestinians

- Describing the Jacob/Esau struggle
- The significance of 70 A.D.

VII. Temples: Past, Present, & Prophetic

- Temples Past
- Temple Present
- Temples Prophetic

Lesson One



Ezekiel: A Foundation of Biblical Prophecy

Ezekiel's Message lays the groundwork for Biblical Prophecy

Ezekiel's Message contains the record of God's prophetic timeline for the Jewish people. An understanding of this timeline is essential when studying the rest of God's prophetic Word.

Overview of Lesson One

I. An Introduction to Ezekiel

- *The Man*
- *His Message*

II. A Message of Retribution Chapters 1 - 32

- *To Israel - Chapters 1 - 24*
- *To Israel's Neighbors - Chapters 25 - 32*

III. A Message of Restoration - Chapters 33 - 48

- *Of the Jewish People*
- *Of the Jewish Practices*

Follow Along Outline

A Brief Bio of Ezekiel the Man

- ▶ His name means God is **strong**.
- ▶ His education was for 28 years at the rabbinical seminary (**Priests** school).
- ▶ His textbook was the book of **Leviticus**.
- ▶ His vocation was the **priesthood**.
- ▶ His call to be a **prophet** came from God while he was in exile in Babylon.
- ▶ He was a priest/prophet called to minister to the exiles. The Lord called him, son of **man**. - *Ezekiel 2*
- ▶ He was the first **street** preacher that there ever was in history.

A Brief Look at Bible Prophecy in General

- ▶ **32%** of the entire Bible is prophecy. This means one out of every three pages in the Bible is prophecy.

A look at history's timeline of 7,000 years – a roadmap through eschatology

- ▶ **4,000** years from Genesis 1 creation in six twenty-four hour days by Jesus Christ (Colossians 1:16) to His first coming to live, die, be buried, resurrected and ascended back to heaven.
- ▶ At least 2,000 years from that point to the **Rapture** of the Church, the next main event on God's calendar of events. - *I Thessalonians 4:13-18, John 14:1-3*
- ▶ **1,000** years of the reign of Christ in His Millennial Kingdom followed by the Great White Throne Judgment, and Eternity Future (a New Heaven, a New Earth and a New Jerusalem) begins.

A seven year period of time is talked about in Revelation 4:2-19:10, "a terrible time of tribulation." The word church is used 25 times in the book of Revelation, 19 times before 4:1 and 6 times after 19:11 and no times in those 16 chapters describing the Tribulation period.

A Trio of Triplets

1. Three future events

- ▶ The Rapture of the Church - *I Thessalonians 4:13-18*

- ▶ The Revelation (or Return) of Jesus Christ - *Revelation 19:11*

- ▶ The Retribution against unbelievers at the Great White Throne Judgment - *Revelation 20:11-15*

2. Three members of the human family

- ▶ **Gentiles** only for the first 2,000 years. - *Genesis 1-11*
 - **Seth** was a great preacher who was a Gentile believer. - *Genesis 4*
 - **Enoch** was a great preacher who was a Gentile believer. - *Jude*
 - **Noah** was a great preacher who was a Gentile believer. - *Genesis 6, 7*
- ▶ Gentiles and **Jews** the second 2,000 years. - *Genesis 12 – Acts 1*
 - Abram is called the **Hebrew** - *Genesis 14:13*
 - Jacob, his grandson, was the first one to be referred to as **Israel**. - *Genesis 32*
 - Judah, his great grandson, was the first one to be called a **Jew**. - *II Kings 16*
- ▶ Gentiles, Jews and **Christians**, the third 2,000 years. - *Acts 2 – Revelation 22*
 - There are no **Christians** in Matthew, Mark, Luke, or John.
 - Believers were first called **Christians** at Antioch. - *Acts 11:26*

3. Three books

- ▶ The book of **Daniel** lays out the timeline for the Gentiles. Daniel and the three Hebrew children are taken into Babylonian captivity 605 B.C. This was the beginning of the times of the Gentiles, a time when a Gentile has control over Jewish people and the city of Jerusalem.
- ▶ The book of **Revelation** is a timeline for the Christians. It starts with the Resurrection and takes us into Eternity Future. - *Revelation 1:18*
- ▶ The book of **Ezekiel** is the timeline of the Jews. Ezekiel, in preparing for the priesthood, studied the book of Leviticus for 28 years. Chapters 1-7 describe a system of sacrifices. Chapters 8-11 give standards for the priest. Chapters 12-27 give a system of worship in a tabernacle or temple.

THE BOOK OF EZEKIEL

- ▶ It is one of four books in the Bible that is **apocalyptic** which means to foretell the future, the others being Daniel, Zechariah and Revelation. This type of literature uses a **symbol** to communicate an absolute truth.

Ezekiel's status and location

- ▶ He had just qualified as a priest at age 30 and was in Mesopotamia, present-day Iraq. Where was Noah living in his later years? Mesopotamia. His great grandson, Nimrod, built a great city called **Babylon**.

Ezekiel, a major player in all of world history, pre-writes history happening today from the location where our world is focused today, **Babylon**.

An Outline of the Book of Ezekiel

1. A message of **Retribution** - *Ezekiel 1-32*
 - ▶ To Israel - *Ezekiel 1-24*
 - ▶ To Israel's neighbors - *Ezekiel 25-32*
2. A message of **Restoration** - *Ezekiel 33-48*
 - ▶ Of the Jewish people - *Ezekiel 33-39*
 - ▶ Of Jewish practices - *Ezekiel 40-48*

Conclusion

- ▶ The absence of the word church in Revelation 4:2 - 19:10 is one indication we will not be here during the seven year Tribulation period.
- ▶ Which member of the human family are you – Gentile, Jew or Christian?
- ▶ Are you ready for the next main event on God's calendar, the Rapture of the Church?

Think About This!

1. What are some key facts about Ezekiel the man?
2. What are the three main events remaining on God's prophetic timeline?
3. What are the three branches of the human family?
4. What are the 2 major messages of Ezekiel's prophecy?
5. Where was Ezekiel's ministry carried out?

Lesson Two



A Unique Man & Ministry

"Son of man, I have made thee a watchman unto the house of Israel: therefore hear the word at my mouth, and give them warning from me."

Look around and see the glory of the Lord. walk in obedience following Ezekiel's example in serving the Lord. be a watchman, hear from the Lord and warn people to be prepared for the Lord's appearing and return.

Overview of Lesson Two

I. Setting the Stage

- *A look at genealogies and events*
- *Identifying three Old Testament priests/prophets*

II. Diasporas & Aliyahs

III. Ezekiel's Peculiar Attributes

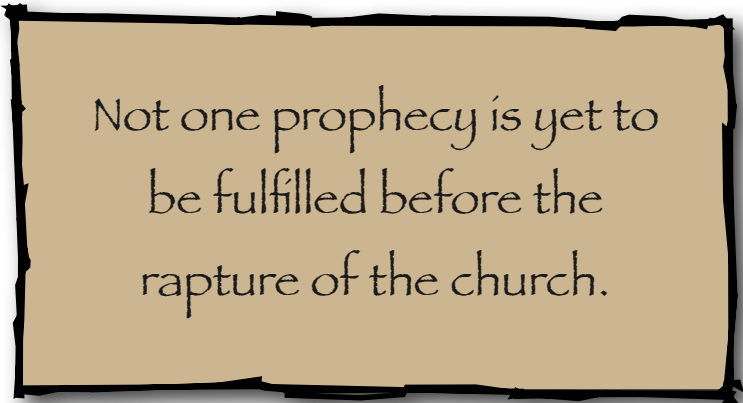
- *His name*
- *His message*
- *His calling*
- *His handicaps*
- *His diet*

IV. Ezekiel's consistency in obedience

V. The Four Living Creatures

VI. How to See the Glory of the Lord

Follow Along Outline



Not one prophecy is yet to
be fulfilled before the
rapture of the church.

A look at genealogies and events

- ▶ We see these two uniquely combined in Matthew 1:17 – from Abraham to David 14 generations, from David to the carrying away into Babylon 14 generations, and from the carrying away into Babylon to Christ 14 generations. The **Babylonian captivity** was a very unique event.

Three Old Testament priest/prophets

- ▶ **Ezekiel** was 30 years of age when he was taken into Babylonian captivity in 597 B.C. He had already qualified as a priest, but was never able to practice the priesthood.
- ▶ **Jeremiah** was a priest who God called to be a prophet.
- ▶ **Zechariah** was a priest who God called to be a prophet and who returned to Jerusalem encouraging the people to rebuild the Temple.

Three Diasporas and Aliyahs

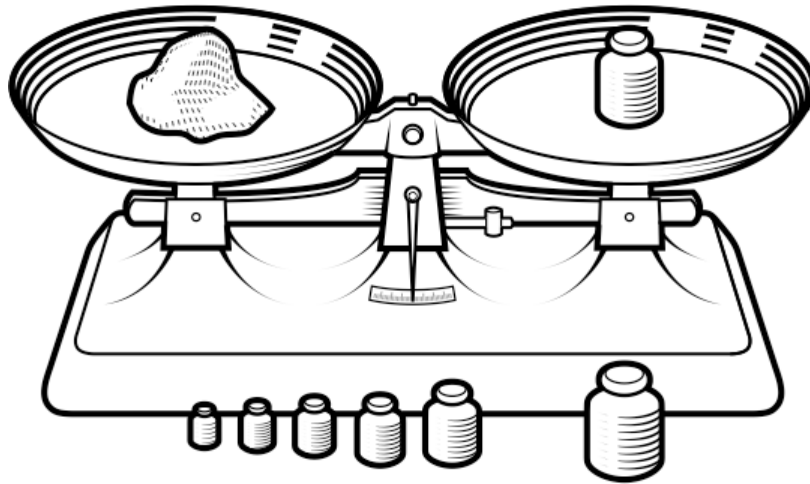
- ▶ In Genesis Jacob took his 70 family members into Egypt, dispersed from out of the land due to famine. 430 years later through the leadership of Moses and Joshua they are delivered (commemorated by the Feast of **Passover**) and return two million strong.
- ▶ The dispersion of the Jews to **Babylon** occurred in 605 B.C. with Daniel and the three Hebrew children, then Ezekiel in 597 B.C. and all the Jews in 586 B.C.. God raises up King Cyrus to allow the Jews to return to Jerusalem and build their Temple.
- ▶ The third departure of the people being taken out of the land occurred in 70 A.D. when the **Temple** was destroyed. The third return is in the process in our life time as described in Daniel 2:7. The Tribulation period is unfolding. God will bring to an end the times of the Gentiles.

The Times in which the Prophets Prophesied

- ▶ During the Babylonian captivity – **Ezekiel** and **Daniel**
- ▶ After the return from the Babylonian captivity – **Haggai**, **Zechariah** and **Malachi**
- ▶ Prior to the Babylonian captivity – the other **twelve** prophets in the Old Testament

Distinguish between a true prophet and a false prophet

- ▶ The mark of a true prophet is **100%** fulfillment of his prophecies.
- ▶ The mark of a false prophet is **deception** (Matthew 24:4, 5, 11, 24) made manifest in signs, wonders and miracles.



Ezekiel's Peculiar Attributes

- ▶ He is called "son of man" **93** times in this book. There is only one other person with that name, Jesus Christ, used only **79** times in the New Testament.
- ▶ His message was "Thus saith the Lord," used **317** times in the book of Ezekiel.
- ▶ His hearers (Israel) are described as hard headed, stiff necked, impudent, like scorpions, a **rebellious** house.
- ▶ His calling was to be a **watchman**, one who would stand on the city wall giving warning in defense against the enemy. We need to hear and talk what God's Word is saying about the end times in which we are living today warning the people.
- ▶ His handicap was that he was to lay in the street **430** days stricken unable to speak - a silent street preacher.
- ▶ His daily diet was 8 ounces of meat, a quart of water and bread made over cow **dung**.

Three piles of hair shaved from Ezekiel's head and face - *Ezekiel 5:1, 2*

- ▶ The pile burned up = a third of Israel will die of pestilence and **famine**. - *Ezekiel 5:12*
- ▶ The pile stabbed by his dagger = a third of Israel will fall by the **sword**.
- ▶ The pile scattered by the winds = a third of Israel will be taken into **Babylonian Captivity**.

What was Ezekiel's assignment in the valley of dry bones? - *Ezekiel 37*

- ▶ He was to go out and **prophesy** (preach) to these dry bones.

When God said...

"Go to your people, a rebellious people and speak to them no matter what they say or look like."

Ezekiel said, "Yes sir!"

"Lay in the street 430 days on your left and right sides."

Ezekiel replied, "Yes sir!"

"Bake your bread over cow manure."

Ezekiel answered, "Yes sir!"

"Cut your hair off, stab it, burn it and then throw it in the air."

Ezekiel declared, "Yes sir!"

"I am going to take your beloved wife, but don't mourn. Get back to the task."

Ezekiel responded, "Yes sir!"

"Preach to a valley of dry bones,."

Ezekiel's reaction to God's command was always "Yes sir!"

The Four Living Creatures

- ▶ They are **cherubim**. - *Ezekiel 10*
- ▶ They all had four **faces** and four **wings**. - *Ezekiel 1:6*
- ▶ They were standing in the form of a **square** forming a throne **chariot** to bring the glory of the Lord to the earth.
- ▶ The likeness of their faces were the face of a **man**, a **lion**, an **ox** and an **eagle**. - *Ezekiel 1:10*
- ▶ It is believed that these display the different aspects of Jesus Christ as He came to earth.
 - Matthew describes Jesus as **royalty**, King of Kings and Lord of Lords – the face of a lion, the **king** of the animal world.
 - Mark presents Jesus as a **servant**, the ox, the **servant** animal.
 - Luke presents Jesus as a **man**, the face of a **man**.
 - John presents Jesus as **deity**, the face of an **eagle**.
- ▶ The cherubim stand with two wings out and two wings covering their bodies, forming a perfect **square** with four **faces** in all directions. - *Ezekiel 1:11*
- ▶ A **wheel** in the middle of a wheel, that's how they move.
- ▶ The noise of their **wings** was like the noise of many **waters**, as the voice of the **Almighty**.
- ▶ Ezekiel could say, "**Yes sir!**" because he saw the **glory** of the **Lord**, a pre-incarnate appearance of Christ.

How to See the Glory of the Lord

- ▶ If we literally see the **glory** of the Lord, we will be immediately obedient as well. According to Psalm 19:1-6 we see it in God's **creation**. *"The heavens declare the **glory** of **God**; and the firmament sheweth his handiwork."* - Psalm 19:1
- ▶ In Genesis 1 He creates the sun, the moon and the stars also. In the end times there will be those who will deny the **coming** of the Lord and His **creation**. II Peter 3:5 says they will be "*willfully ignorant*" (dumb on purpose).

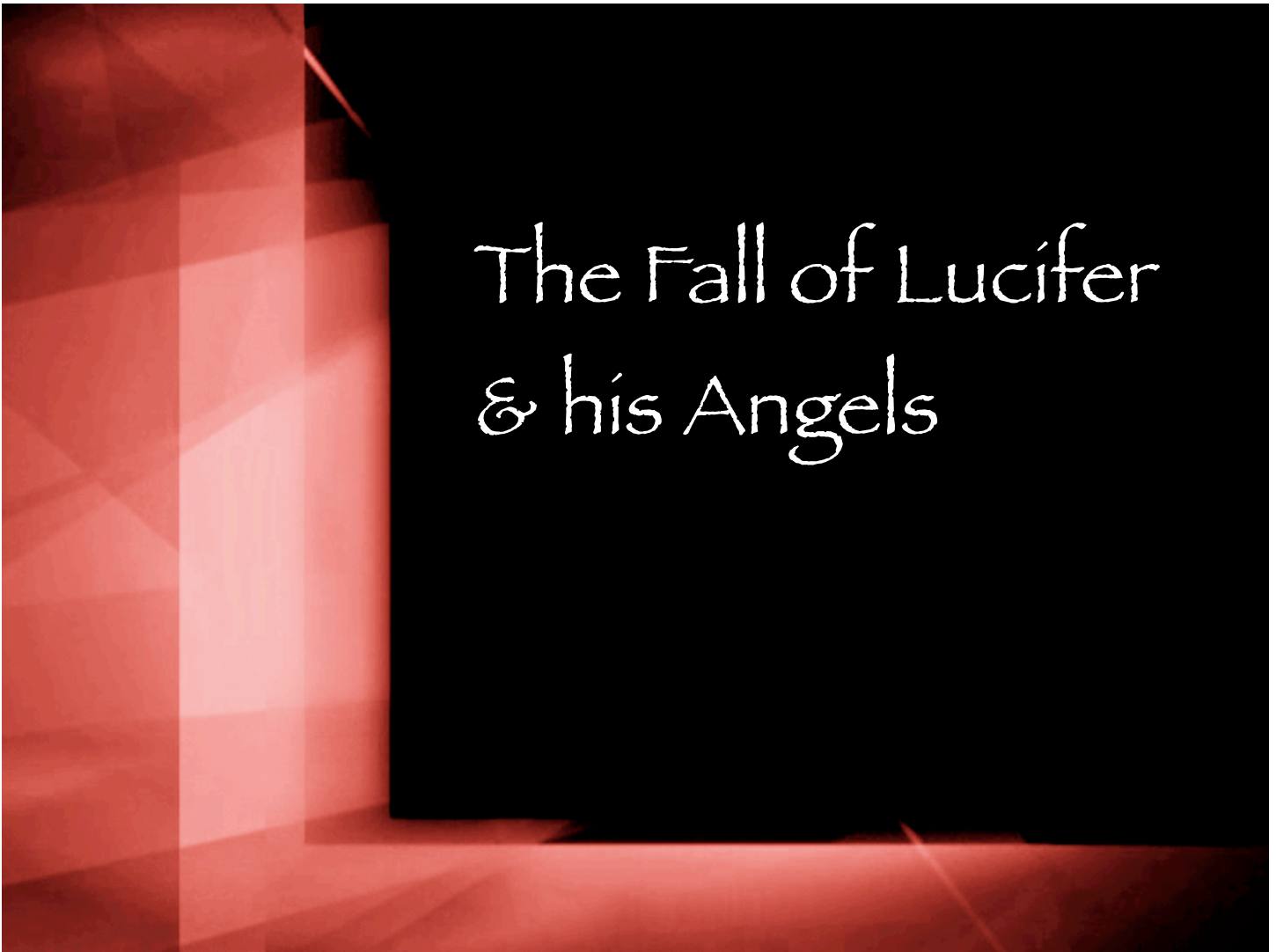
Conclusion

- ▶ Look around, and see the glory of the Lord.
- ▶ Walk with the Lord today in obedience, and be a blessing.
- ▶ Be a watchman. Hear from the Lord. Warn the people.
- ▶ It is good to know the prophecies of Scripture about the Lord. It is better to love the Lord. Such love causes a sincere longing to see Him face-to-face.
- ▶ A crown of righteousness for all who love His appearing. - *II Timothy 4:7, 8*

Think About This!

1. Who were the three Old Testament prophets who were also priests?
2. What are the three time periods in which the prophets preached?
3. How can you distinguish between a true prophet and a false prophet?
4. How do the four faces of the living creatures relate to the four gospels?
5. What should our reaction be to God when He gives us a command?

Lesson Three



Our Enemy is real... And his time is short.

My decisions today will affect tomorrow. Therefore, I must stand against the schemes of Satan in the power of God's armor.

Overview of Lesson Three

I. Identifying the Prince of Tyre - *Ezekiel 28:1*

II. Lucifer's broad sphere of influence - *Ezekiel 28:13, 14*

III. Lucifer's Fall - *Isaiah 14:12-14*

- *When angels were created*
- *Identifying the three heavens*

IV. Dealing with Satan's schemes - *Ephesians 6:10-18*

V. Identifying and describing UFOs

Follow Along Outline

Identifying the Prince of Tyre

- ▶ In Ezekiel 28:1 it is talking about modern day **Lebanon**. It was to southern **Lebanon** that Hezbollah, the Iranian Revolutionary Guard, came out of Iran in 1982. They were placed in southern **Lebanon** and responsible for the blowing up of the U.S. Marine Barracks killing over 280 U.S. military, and then for the 2006 thirty-four day cross-border law where, according to the perception of the Islamic-Arab world, Israel was defeated. It is talking about a judgment against Tyre, modern day **Lebanon**.

- ▶ Down in verses 13 and 14 it is talking about **Lucifer**.
 - He was in the **Garden** of **Eden**. He was created, the anointed Cherub upon the Holy Mountain of God, according to Daniel 9:16, 20 the city of Jerusalem, synonymous with the **Garden** of **Eden**.
 - The phrase, "the holy mountain of God," is used **18** times in the Old Testament, and has in its context the Temple Mount in the city of Jerusalem.
 - It is Mount **Moriah** where Abraham offered Isaac (Genesis 22), where Solomon built that Temple (II Chronicles 3:1). It is the original site of the **Garden** of **Eden**.
 - Lucifer was perfect in all his ways until **iniquity** was found in him. Why did he fall? Because angels were created with a free will as is man.

How do human free will and angelic free will differ?

- ▶ We can change our minds as we exercise our free will. However, an angel has only **one** opportunity to exercise his free will, and at that point he is locked in for eternity. There is no **redemption** for an angel.

How did Lucifer fall?

- ▶ He exercised his free will against God in Isaiah 14:12-14 where he said,

I will ascend into heaven.

I will exalt my throne above the stars
of God.

I will sit also on the mount of the
congregation in the sides of the north.

I will ascend above the heights of the
clouds.

I will be like the Most High!

With this the battle of the ages begins!

The Creation of Angels

- ▶ In Job 38:4 God asks Job, "Where were you when I laid the **foundations** of the earth?"
- ▶ In Job 38:7 God says, "When the morning **stars** sang together and all the **sons** of God shouted for joy." The "morning stars" and the "sons of God" are phrases that describe angels. Whenever God **created** the earth, the angels shouted for joy!
- ▶ Between Genesis 1:1a and 1b God brought angels into existence. They were there before the earth was created, and they were all **good** angels.
- ▶ This is verified in Genesis 1:31 where God saw **everything** He created, and it was very good (abundantly excellent). Evil angels were not in existence before Genesis 1:1.

The Fall of some of the Angels

- ▶ They did not fall in the six days of **creation**.
- ▶ A time frame would be between the **sixth** day of creation and Genesis 3:1, the time when God **communicates** with Adam and Eve.
- ▶ Genesis 3:1 speaks of a serpent. Who is the serpent? In Revelation 12:9 he is called the **Devil** and Satan. He appears sometime between Genesis 1:31 and 3:1.
- ▶ Lucifer was the most prominent, above all creation, above the **throne** of God, in the Garden of Eden.

What turned Lucifer against God?

- ▶ Because God gave man **dominion** over every living thing that moved on the earth. - *Genesis 1:28*
- ▶ Lucifer did not like that because he was in charge of creation, and now **man** was in charge.
- ▶ So Lucifer becomes Satan sometime after the **sixth** day of creation early on in the existence of humankind.

The Three Heavens

- ▶ The first heaven is where the **sun** and **clouds** are.
- ▶ The second heaven is where the **stars** and **galaxies** are.
- ▶ The third heaven is where **God** is and where the **angels** were.

A third of the angels rebelled with Lucifer and were **thrown out** of the third heaven.

- ▶ Lucifer, Satan, is the only **evil** angel with access to the third heaven. What does he do there? According to Revelation 12:10 he **accuses** the brethren day and night before the throne of God.

What about UFOs? What do they look like? Why are they seen?

- ▶ Revelation 9 says **alien** (not normal) creatures are going to come out of heaven and attack the earth.
- ▶ They have the face of a man, the hair of a woman, the teeth of a **lion**, the breastplate of a horse running to battle, and a tail like a **scorpion** to kill and sting.
- ▶ They are **evil** angels taking on the form of whatever we have seen out there. Satan has a plan to explain away the Rapture. "The **aliens** took them!"

Other appearances of Satan

- ▶ He takes of the form of an angel of **light** in II Corinthians 11 and his ministers the ministers of **righteousness**.
- ▶ Daniel 10 speaks of the "Prince of Persia", the "Prince of Greece". "Prince" is another title for the **evil** angels. They come and take control of human bodies, a la Adolf Hitler killing six million Jews, Yassar Arafat who classified a 13 year old Palestinian female suicide bomber as a heroine. The most prominent one will be the **Antichrist**.

Conclusion

- ▶ The Antichrist cannot appear until we depart from one place and go to another – the rapture of the church. We are at that time in history.

- ▶ We are going to make decisions today that affect tomorrow. The way we can understand what is going to happen tomorrow is to develop a world view based upon God's Word and the prophetic scenario laid out in it.

Think About This!

1. Who was the Prince of Tyre in Ezekiel 28? (There may be more than one answer.)
2. How and when did Lucifer fall and become Satan?
3. What are the three heavens?
4. When were angels created?
5. What are the "UFOs" that Dr. DeYoung talks about?

Lesson Four



Dry Bones & Two Sticks

Nothing is over until God says its over

The scene was bleak, to put it mildly. The once beautiful meadow was covered with the long-dead remains of a multitude of people. Not only were the bones sun-bleached dry, but they were scattered around. The leg bone of one man next to the skull of another next to the rib of another. One cannot be sure of the beginning of this story, but it is obvious that the end was massive death. But God...

But God had other plans. "Preach to these bones, Ezekiel." And he did. In a short while, the proud army, long since dead, stood, alive and well, bones, flesh, and even breath. Where man puts a period, God can put a comma. When things seem not just bleak, but final - keep your faith in God.

Overview of Lesson Four

- I. **God's message of retribution - *Ezekiel 1-32***
- II. **God's message of restoration - *Ezekiel 33-48***
- III. **The valley of dry bones - *Ezekiel 37***
- IV. **The regathering – 1897 - 1948**
- V. **The restoration – 1948 - Present**
 - *The three dispersions*
 - *The land*
 - *The people*
 - *The language*
- VI. **The case for all twelve tribes being in the land**
- VII. **When the Jewish people become the children of God and God becomes their God**

Follow Along Outline

The valley of dry bones

In Ezekiel 37 God takes Ezekiel out to a valley of dry bones. He asks Ezekiel, Can these bones live again? He tells the prophet he must **preach** to these bones.

The result of Ezekiel's preaching - *Ezekiel 37:7 - 10*

- ▶ Those **bones** came together.
- ▶ **Flesh** came upon them.
- ▶ Out of the sky comes a covering of **skin**.
- ▶ The wind caused these flesh covered bones to **breathe** and to **stand** up like a mighty army.

This is a three part prophecy using **apocalyptic** literature. This type of literature uses a **symbol** to communicate an absolute truth.

- ▶ The **Regathering** - the bones coming together. In 1897 the first Zionist Congress in Basel, Switzerland resulted in Jewish people coming into the land from 108 nations of the world. This is called **Aliyah** which means "go up to Jerusalem". The Jews are responsible to go back to the Temple Mount area in Jerusalem every pilgrim feast day – Passover, Pentecost and Tabernacles.
- ▶ The **Restoration** - the flesh being put on these bones that have come together was the establishment of the Jewish state of Israel on May 15, **1948**. In Ezekiel 34:11-31 God says He will seek out His sheep and deliver them out of all the places where they have been scattered. God says, "I will" and repeats it **18** times.
- ▶ The **Regeneration** - at the end of the Tribulation period, when Jesus Christ returns to the earth, all of Israel will be born again "in a **day**." - *Zechariah 3:9*

When were the Jewish people scattered? **Three** times.

1. In the first dispersion **Jacob** and his family of 70 people were scattered to **Egypt**, and then 430 years later God brings them back into the land.
2. The second dispersion was in **586 BC** in Ezekiel's day to **Babylon**, and 70 years later God brings them back into the land through Zerubbabel.
3. In **70 AD** General Titus and the Roman army devastated the Temple, destroyed the city and dispersed the Jews to the four corners of the earth. Herein lies the third dispersion of the Jewish people in fulfillment of Moses' prophecy to them in Deuteronomy 28. The Arch of **Titus** still stands in Rome today.

In chapter 36 Ezekiel prophesies a message of **restoration**. God says He will find the Jewish people wherever they are scattered and gather them together in the **land**.

When Ezekiel talks about the Land of Israel, it is often associated with the phrase "all the house of Israel."

The land

Currently the Jewish people have only **10%** of what God promised to give them. There are 38 locations in Scripture that talk about the Biblical borders of Israel.

The borders start in the South at the **Nile** River, Egypt, through Lebanon, to the North to the Euphrates River, taking in all of Syria, **Jordan** and Kuwait, 3/4 of Iraq, 3/4 of Saudi Arabia and back to Egypt.

These will be the borders during the **Millennial** Kingdom of Jesus Christ.

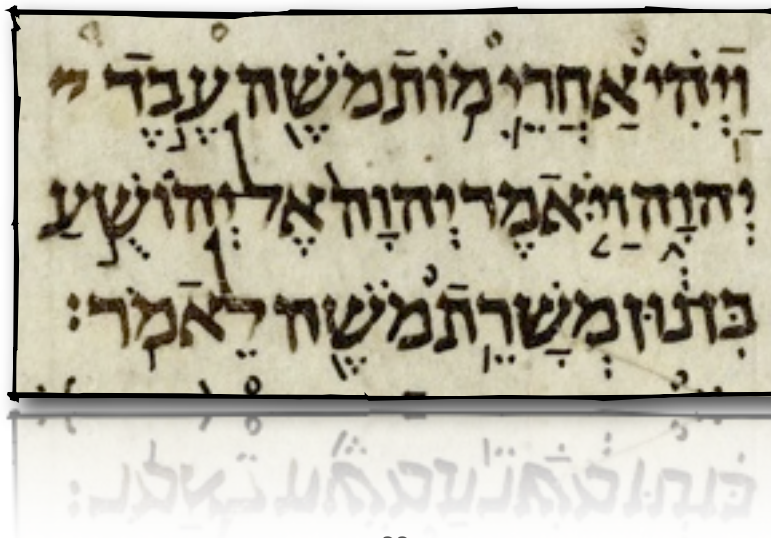


The people

- ▶ In **1897** the first Zionist Congress was held, and Jews started coming back into the land.
- ▶ Since 1991 1.3 million Russian Jews have come to live in the land, an increase of one nation by **37%**. This has never happened in the history of the world.
- ▶ On May 24, 1991 the greatest airlift in history occurred when 42 aircraft transported **15,000** Ethiopian Jews to Israel. Fourteen babies were born in flight.
- ▶ At the Ben Gurion airport the Israeli government provided a **meal** for them. The Ethiopians did not know how to eat it. As Jimmy helped them, he participated in the prophecy of Zephaniah 3:10.

The language

For 2,000 years **Hebrew** has been a dead language. It is now restored in Israel in fulfillment of Jeremiah 31:23 and Zephaniah 3:9. God has brought and continues to bring the Jewish people from 108 different nations, dialects and languages back into the land, and they now speak the one language, **Hebrew**.



THE CASE FOR ALL TWELVE TRIBES BEING IN THE LAND

The divided kingdom

- ▶ In Ezekiel 37:15 two sticks representing **Judah** and **Israel** become one stick.
- ▶ Ezekiel 38 speaks of the alignment of the nations, a coalition of **Islamic** nations that come against the Jewish state.

How can one authenticate the Word of God?

- ▶ Isaiah prophesies 150 years **before** the fact of Cyrus allowing the Jews to go back and rebuild their Temple.
- ▶ Ezra, 150 years **after** that prophecy in Isaiah, records exactly what happened. Almost 50,000 people go back to Jerusalem to build the Temple. Ezra 2:28, 29.

The word **Israel** is used in one of three ways in the Bible.

- ▶ It is used as the name of **Jacob** when God changed his name to **Israel** in Genesis 32.
- ▶ It is used to describe all **twelve** tribes.
- ▶ It is used to describe the **ten** tribes that went to the North.
- ▶ It is **never** used to describe the two tribes that stayed in the South.

The priests and Levites come from the tribe of Levi, not those two other southern tribes, Benjamin and Judah. They offered at the dedication of the house of God 100 bullocks, 200 rams and 400 lambs for a sin offering for **all** of Israel. All twelve tribes were in the land.

In Matthew 10:5, 6 the disciples are instructed by Jesus to go to the lost sheep of the house of **Israel**, not to the Gentiles or Samaritans.

Ezekiel uses the word Judah **18** times and Israel 169 times.

All 12 tribes were in the land since the time of Ezra, since the time of Jesus Christ, on the day of **Pentecost** and before the **Rapture** of the Church.

Then they become two different Jewish states – **Israel** and **Judah**, and continue as such throughout the seven year Tribulation period.

In Ezekiel 37:22 they again become **one** nation of twelve tribes.

When do the Jewish people become the children of God and God become their God?

- ▶ This occurs when **Jesus Christ** comes back. The Jewish people turn to Christ in a day.

At the Rapture of the Church, Israel becomes two nations,
Israel and Judah.
At the Return of Christ they become one nation again.

What are the current events that relate to this matter?

- ▶ Prime Minister Ehud Olmert promised Israel will evacuate Judea and **Samaria**, the West Bank, because the European Union, the United States, the United Nations and Russia say it must be given to the **Palestinians**. 500,000 Jews live there, 10% of the population of Israel. They went there at the behest of Ariel Sharon after the six day war in 1967.
- ▶ Part of this area is the **Temple Mount** in Jerusalem, the most sacred piece of real estate to any Jew, and the Garden of Eden.
- ▶ The Israeli government is ready to give this land back, something they did in 2005 when they **extracted** 10,000 Jews out of 25 Jewish settlements in the Gaza strip.
- ▶ There are those living in Samaria and Judea who say they will not be extracted, their alternative being the establishment of a **second** Jewish state. The constitution for the state of Judah is currently written and ready.
- ▶ **Before** the second Jewish state is formed, the Rapture of the Church occurs. That is how close we are. How then should we live?

Conclusion

The prophetic sequence is from Ezekiel 2,500 years ago to...

- ▶ God gathering the Jews into the land,
- ▶ God giving them back their language,
- ▶ The forming of a second Jewish state preceded by the Rapture of the Church.
- ▶ If we are indeed that close, are you prepared for Jesus to come back?

Think About This!

1. What do the events of the valley of the dry bones represent?
2. What are the three Diasporas?
3. How many tribes of Israel will be in the land when Christ returns?
4. What do the two sticks becoming one represent?
5. When will the nation of Judah be formed?

Lesson Five



Islam & the Alignment of the Nations

September 11, 2001 - War was beginning

On 9/11 the Islamic terrorist genie escaped, really, it happened years before at the first attack on the World Trade Center. We are not going to put it back in the bottle. It's the beginning of the end.

Overview of Lesson Five

I. The three main events of the future

II. God's plan for the Jews

III. Satan's plan for the Jews

IV. The alignment of the nations

V. A look at the Islamic world

- *Where did it come from?*
- *Who is the father of Islam?*
- *How does Islam play into end time prophecy?*
- *What will happen to the militant Islamic people?*

Follow Along Outline

The 3 Main Events of the Future

- ▶ The next main event on God's calendar is the **Rapture** of the Church.
- ▶ There will be a seven year **Tribulation**, the time of Jacob's trouble. - *Jeremiah 30:7*
- ▶ There will be the **Return** of Jesus Christ when He establishes His Kingdom.

Reasons for the Tribulation

- ▶ **Evangelize** the Jew – Two witnesses will preach and lead 144,000 male virgin Jews to Jesus Christ.
- ▶ **Evangelize** the entire world – They in turn will declare the Gospel of the Kingdom throughout the world giving every person opportunity to receive or reject Jesus Christ.

What happens after each of these events?

- ▶ The Millennial **Kingdom** - *Ezekiel 40-46*
- ▶ The Great White Throne **Judgment**. Jesus as judge will sentence those who rejected Him to the lake of fire, which is the second death. - *Revelation 20:11-15*
- ▶ Eternity **Future** - New Heavens, New Earth, and a New Jerusalem



The Borders of God's Promised Land to the Jewish People

- ▶ Half of Egypt, Israel, Lebanon, Syria, Jordan, 3/4 Iraq, Kuwait and 3/4 Saudi Arabia which is ten times what they currently possess. All this land will be theirs forever, the new earth. Christians will be in the New **Jerusalem** which will not be on the earth.

During the restoration the Jewish people return to the land in unbelief.

- ▶ **29%** of the population of Israel may be religious in the form of Rabbinical Judaism which denies Jesus Christ as the Son of God. According to I John 4 this makes them **antichrist**.
- ▶ Ephesians 2 speaks of two people, Jews and Gentiles, being at enmity with each other. Jesus Christ made them one – **Christians**.

What is God's plan for the Jews?

- ▶ He places **Jerusalem** in the center of the earth. - *Ezekiel 5:5*
- ▶ He brings the **Jew** into existence.
- ▶ They are to give **witness** of the blessings received through obedience.
- ▶ They receive, preserve, and communicate the **Word** of God to the world. - *Romans 3*

What is Satan's plan for the Jews?

- ▶ Because of God's plan there is an alignment of nations against **Israel** motivated by Satan.
- ▶ Satan **contaminated** the human race. The flood was the result. - *Genesis 3:15*
- ▶ The genealogy in Genesis 5 starts with Adam and concludes with Noah. In Genesis 6 God said He found Noah **perfect** because he did not have any evil angelic strain in his blood line.
- ▶ Noah and his immediate family had the responsibility of **restarting** the human race.
- ▶ Satan is now going to try to **destroy** the Jewish people as they come into the land in the Last Days.

Satan's Plots Against the Jews

The Holocaust under Adolf Hitler in World War II

The Spanish Inquisition

Worldwide anti-Semitism

Replacement Theology

If Satan can wipe out the Jew, God's plan fails,
and God is no longer God.

The Alignment of Nations against Israel

- ▶ Persia, Ethiopia, **Libya**, Gomer and Tagarmah of the north quarters. - *Ezekiel 38:5, 6*
- ▶ Magog is a piece of real estate north of the Caspian and Black Seas we know as **Russia** today.
- ▶ Meshach, Tubal, Gomer and Tagarmah were in Ezekiel's time what we know today as **Turkey**.
- ▶ Persia was known in Ezekiel's day what we know today as Afghanistan, Pakistan and Iran.
- ▶ Ethiopia then included today's Ethiopia, **Somalia** and Sudan.
- ▶ Daniel 11:40-45 gives us two other nations who will be a part of this coalition, the King of the South (**Egypt**) and the King of the North (**Syria**). The he, his and him here is each time referring to Antichrist.

What happens during the short period between the Rapture and the Tribulation?

- ▶ The revived **Roman** Empire represented by the ten horns of Daniel 7 must come into existence.
- ▶ The **Antichrist** must come (the little horn).
- ▶ The Antichrist confirms a **peace** agreement with Israel. This is when the clock starts ticking on the seven year Tribulation period.
- ▶ All those dealing with the Antichrist think he is the **Messiah** because he has promised to take care of them.
- ▶ When Egypt and Syria attack Israel, they are attacking the **Antichrist**.
- ▶ Antichrist is in **Rome** at the time and returns to wipe out Syria.
- ▶ He skips by Edom, Moab and Ammon (modern-day Jordan). Because of **Petra**, the impregnable city of protection for the Jews during the last 3.5 years of the Tribulation.
- ▶ He goes and destroys **Egypt**. - *Daniel 11:42*
- ▶ Tidings out of the east and out of the north shall trouble him. Russia, **Iran**, Afghanistan and Pakistan. - *Daniel 11:43*
- ▶ The nations listed in Ezekiel 38 are referred in Daniel 11.
- ▶ The first two nations to come against Israel will be Syria and **Egypt**.

Is this possible? Let's take a look at the current situation.

SPI WORLD BRIEFING - NEWS FEED

- There are 10,000 Syrian soldiers at the northeastern border of Israel being trained by agents from Hezbollah in guerilla-type warfare.
- The foreign minister of Syria has said the next war with Israel will be ballistic.
- Syria has the Class-C SCUD rocket, the most sophisticated of the scud rockets on alert ready to attack any place in Israel.
- Syria also has biological chemical factories and warheads.
- Syria has said, If Israel does not come to the peace table and give us back the Golan Heights diplomatically, we will take it militarily.
- Egypt in the summer of 2007 held military exercises in the Sinai desert. Why? The Minister of Defense said, We are getting ready for war against the Zionist State, which is Israel.
- Russia has been responsible for giving all the technology and technicians to develop a nuclear weapon of mass destruction to Iran.
- Israeli intelligence says Iran's weapon of mass destruction shall be ready in 2008
- The president of Iran believes we are living in an apocalyptic age.
- Islam has an eschatology that believes a messiah is coming to Jerusalem to head up the one world empire they are going to put in place.
- By the year 2012 Russia will be 50% Islamic, growing faster than anywhere else in the world. By the year 2010 50% of Russia's military will be Islamic
- Turkey is 99% Islamic in their faith. The military is at the point of bringing down the Turkish government.
- Pakistan has the Islamic nuclear weapon and has given it to those who are terrorists.
- Sudan was the headquarters of Osama Bin Laden before moving to where he is today and where the Muslims have killed 2,000,000 Christians.

The writer in Psalm 83:1-4 prays to God that He be not silent to what is going on – the plans of these nations to cut off Israel from being a nation; that the name of Israel may be no more in remembrance.

- ▶ Edom becomes the Palestinians of today. - *Psalm 83:6*
- ▶ The Ishmaelites are modern-day Saudi Arabians. - *Psalm 83:6*
- ▶ The Hagarenes are modern-day Iranians. - *Psalm 83:6*
- ▶ Tyre is modern-day Lebanon. - *Psalm 83:7*
- ▶ Asher is modern-day Syria. - *Psalm 83:8*

On July 9, 2006 in Tehran 4,000 Islamic Arab leaders gathered together. Addressing them the president of Iran said, "We must rise up as Muslims and wipe Israel off the face of the earth that their name may be forgotten forever!" Sounds like Psalm 83:4.

Is Ishmael the father of the Arab world?

- ▶ According to Genesis 16:1 Ishmael did not start the Arab world because his mother was one of them. It is impossible for a son to father his mother.
- ▶ Genesis 10:6-10 mentions the sons of Ham, Cush (Ethiopia, Somalia and Sudan), Mizram (Egypt), Put (Libya) and Nimrod (Babel, modern-day Iraq).
- ▶ Between Genesis 10 and 16 is over 500 years. Ishmael did not father the Arab world.
- ▶ Genesis 17:20 reveals Ishmael would be the father of one nation.
- ▶ Genesis 25:18 tells where he went to live – Shur, modern-day Saudi Arabia.

Genesis 25:16 Defined and Explained

- ▶ Nations means **tribes**. Castle means tent. Princes means **chief**.
- ▶ Ishmael had 12 sons who were chiefs of tribes living in tents. This fits the scene in **Arabia** then and now.
- ▶ The word Arab means Bedouin or **nomad**.
- ▶ Islam means **submission**. In 622 A.D. Mohammed came to power claiming to be a direct descendant of Ishmael.
- ▶ Mohammed takes Allah as god, which was the moon god. He has no **son**, thus making him an **antichrist**. Thus Islam was established a Satanic religion that will not exist with any other religion.

When does the Tribulation begin?

- ▶ It begins when Israel dwells in safety in unwallled cities, when Israel lays down her **weapons**, when the Antichrist establishes a **false** peace, when these enemy nations attack. - *Ezekiel 38:8-12*
- ▶ God is against these **attacking** enemies. 5 out of 6 will be destroyed. - *Ezekiel 39:1, 2*

Conclusion

- ▶ Islam will not collaborate with any other religion.
- ▶ On 9/11 the Islamic terrorist genie escaped, and we are not going to put it back in the box. It is the beginning of the end.
- ▶ Until the rapture occurs they are the force that must be dealt with.

This is the time in which we are living today!

Think About This!

1. What are two of the reasons for the Tribulation Period?
2. What is Satan's plan for the Jewish people?
3. List 5 of the nations that will come against Israel in the End Times.
4. Name one even that comes between the Rapture of the Church and the beginning of the Tribulation period.

Lesson Six



Brother versus Brother - Some Sibling Rivalries never end

The struggle that began in Rebekah's womb long ago continues today with increasing intensity, and it won't end until the Return of Jesus Christ.

Overview of Lesson Six

I. A message of retribution

II. Identifying Mt. Seir

III. Describing the Jacob/Esau struggle

IV. Describing Israel's conflict with Amalek

- *King Saul's disobedience*

- *The Esther story*

- *Obadiah's prophecy*

V. The significance of 70 A.D.

VI. The significance of modern-day events

Follow Along Outline

The Jacob/Esau Conflict: Then & Now

Ezekiel chapter 1-32 contain a message of retribution, chapters 33-48 restoration.

- ▶ Chapter 33 starts the message of restoration.
- ▶ Chapter 34 God is going to bring back the Jewish people to the land.
- ▶ Chapter 36 Ezekiel talks about the land.
- ▶ Chapter 37 he talks about them being restored.
- ▶ Chapters 38 and 39 he talks about the destruction of their enemies.
- ▶ Chapters 40-46 he talks about God's architectural design for the Temple He will build.
- ▶ Chapters 47 and 48 he talks about dividing the land among the twelve tribes of Israel.

However, in chapter 35 it is a message of **retribution**.

- ▶ In verses 1-4 God gives His tough pronouncement of judgment upon **Mount Seir**.
- ▶ In verses 5-15 God gives His reasons.
 - Their perpetual hatred and **killing** of the Jews by the force of the sword
 - Their claim to take all the Jewish people, the **two** states of Israel
 - Their speaking against the Jewish people which God considers **blasphemy**.

Who is Mount Seir? - *Genesis 25:19-23*

- ▶ Abraham and Sarah, barren **womb**. Then came Ishmael and Isaac.
- ▶ Isaac and Rebekah, barren **womb**. Then came the first twins in the Bible, Esau and Jacob. Within her womb they were **struggling** with each other.
- ▶ These twins represent two **nations**. The one will be stronger than the other, and the elder (**Esau**) shall serve the younger (**Jacob**).
- ▶ The first born in a Jewish family gets the **birthright**.
- ▶ Esau **despised** his birthright and exchanged it to Jacob for a meal. - *Genesis 25:27-34*.
- ▶ This is the first of **two** privileges for the first born that Esau gives up.

The BIRTHRIGHT

The eldest son has the responsibility of carrying the family onto the next generation.
At the death of their father the father will pronounce a blessing on the eldest son.

What about the blessing?

- ▶ Esau asks his father Isaac to bless him. Isaac's blessing included, "*And by thy sword shalt thou live, and shalt **serve** thy brother.*" - *Genesis 27:38-41*
- ▶ Esau **hated** Jacob and subsequent to Isaac's death he would kill him.
- ▶ Mother Rebekah sends Jacob to Haran (modern-day **Turkey**) to be with Uncle Laban for a while for his safety.
- ▶ While returning home, Jacob has an all night **wrestling** match with Jesus Christ at Peniel east of the Jordan River. - *Genesis 32:24-30*
- ▶ Jesus touched the **thigh** of Jacob that made him limp the rest of his life. The thigh muscle is ten times stronger than any muscle in one's body.
- ▶ God also changed his name from Jacob to Israel, which means, "I will **fight** for you."
- ▶ God was then able to work with Jacob from that point on in his life.
- ▶ Esau's name was changed to **Edom**. - *Genesis 36:1*
- ▶ Edom, when used geographically, is the southern portion of modern-day **Jordan**.
- ▶ God allows Jacob to stay in the promised land of **Canaan** (modern-day Israel). - *Genesis 37:1*

Why must Jacob and Esau split?

- ▶ It was because of their **prosperity**, their riches and their cattle.
- ▶ Jacob gets the land of **Canaan** (Israel).
- ▶ Esau moves east to dwell in Mount **Seir**. Esau is Edom. - *Genesis 36:8*
- ▶ Mount Seir is the southern third of modern-day **Jordan**.
- ▶ Everything between the southern end of the Dead Sea to the **Red** Sea is Edom on the east side of the Jordan Valley.
- ▶ Esau's headquarters were in a city called **Petra**.

Petra described

- ▶ It is the most **unique** city in the world, recently voted one of the Seven Wonders of the modern world.
- ▶ It is an impregnable city made of **sandstone**.
- ▶ It has many colors and is called "The Rose Red City."



Esau & the Amalekites

- ▶ **Amalek** is the grandson of Esau. - *Genesis 36:12*

Israel's Conflict with Amalek

- ▶ Exodus 17 describes the battle between Israel and the **Amalekites** at Rephidim. Not all the **Amalekites** were destroyed. Some survivors moved into Gibeon near Jerusalem.

God's instructions to King **Saul**, first king of Israel, regarding Amalek. - *I Samuel 15:3-26*

- ▶ Saul was to kill all their **animals** and all the Amalekites.
- ▶ Two days later when asked by Samuel if he did, Saul said he did. The bleating of the **sheep** in the background revealed his lie.
- ▶ Saul did not kill all the sheep because he thought he could offer them in **sacrifice**.
- ▶ Saul did not kill King Agag because of his **monies** he could use for his cause.
- ▶ Samuel told Saul it is better to **obey** than to offer sacrifice. It is better to do what God says than to have to confess sin.
- ▶ Samuel **slays** King Agag. - *I Samuel 15:33*

The Queen Esther Story – cast and script

- ▶ King Ahasueras, fourth Persian king richer than the previous three, controlled **126** provinces from India to Ethiopia.
- ▶ **Vashti** was his beautiful wife.
- ▶ The king asks his wife to **perform** before all his provincial leaders. She refuses.
- ▶ The king consults with his **counselors**, one of them being Haman.
- ▶ Vashti is dethroned, and the king chooses **Esther**, a Jewess, to be his queen. Her cousin was Mordecai. - *Esther 2*
- ▶ Everybody bowed to Haman, an **Agagite** and number two in the kingdom, except Mordecai. - *Esther 3*

Note the progression:
Esau, Amalek, Agag, Haman –
All four of them wanting to kill Jews.

- ▶ A descendant of Haman is **Herod** the Great who killed off Jewish boys two years of age and younger declaring he was **king** of the Jews according to the Roman emperor.

The prophecy of Obadiah

- ▶ Judgment is again pronounced against the the Edomites, (the descendants of **Esau**) - *Obadiah 1-14*
 - Because of **Pride**. "No one can bring us down." - *Obadiah 3*
 - And **Violence** against his brother Jacob. - *Obadiah 10*
- ▶ At Petra, Esau's headquarters, the **Edomites** would run out to the King's highway and rob the traveling merchants.
- ▶ Obadiah 1-14 is prophecy given **350** years before it was fulfilled.

How God brought down the Edomites

The Edomites invited the Nabateans, the stone carvers of Petra, to a banquet. At this banquet the Nabateans start killing the Edomites. The escaping Edomites go across the Jordan valley to southern Judah and change their name to Edomites.

- ▶ A very famous Edomite was **Herod** the Great.
- ▶ In 586 B.C. Nebuchadnezzar asked who would like to burn the Temple down. They cast lots, and the lot fell on Esau's descendants, the Edomites. They burned it down, and in so doing sealed their **doom** forever.

Obadiah 15 and following is prophecy yet to be fulfilled.

- ▶ The day of the Lord is **near** upon all the heathen.
- ▶ The day of the Lord is any time in history when God **intercedes** in the affairs of men personally on the earth. This is specific use of the phrase.
- ▶ The general use is **after** the Rapture extending through the Tribulation and Millennial Kingdom.
- ▶ The context of Obadiah is the day that Jesus Christ steps back on the **earth**.
- ▶ The Edomites will be intoxicated with power by controlling the **Temple** Mount. - *Obadiah 16*
- ▶ The house of Jacob shall be a **fire**, the house of Joseph a flame and the house of Esau stubble. - *Obadiah 18*
- ▶ At the Return of Christ the **Jewish** people will wipe out the Edomites.

The significance of 70 A.D.

- ▶ Herod the Great, an Edomean, had the **Temple** refurbished at the time of Christ.
- ▶ In 70 A.D. Roman soldiers
 - ▶ Devastated the **Temple**
 - ▶ Destroyed Jerusalem
 - ▶ **Dispersed** the Jews into the four corners of the earth.
- ▶ The Edomites were scattered to a place in the Balkans called **Bosnia**.

The significance of modern-day events

- ▶ Ahman Al-Hussainy was made the mufti of **Jerusalem** in the early 1900s.
- ▶ In 1938 Adolf **Hitler** invited him to Berlin, and they made a plan to rid the world of the Jews. Hitler told Ahman El-Hussainy to call for the Islamic world to destroy the Jewish people.
- ▶ First get the elite commando unit from **Bosnia**, the unit that Hitler would use to (Blitzkrieg) take over a country. They lost.
- ▶ In 1948 the United Nations tells **Israel** they can become a state among the nations of the world. The Arab world says they will wipe them into the sea.
- ▶ Al-Hussainy had a nephew whose name was **Yassar Arafat**.
- ▶ Arafat, Al-Hussainy, Herod the Great, Haman, Agag, Amalek, Esau.
- ▶ The descendants of Esau are the **Palestinian** people of today who are going to try to kill the Jews and take their land.
- ▶ Obadiah tells when this conflict will be over – at the time of the **Second Coming** of Christ. The Palestinians (the Edomites) will be destroyed. Before that will be the seven years of trouble – before that the Rapture.

Conclusion

1. The leaders of the world today are trying to bring a resolution to the Israeli Palestinian conflict (the Jacob/Esau struggle). They will never do it.
2. Only Jesus can do it when He comes back. We are at that point in history.
3. The urgency of the moment requires us to make decisions that will be in accord with God's plan.

Think About This!

1. What country is Mount Seir today?
2. What makes Petra unique?
3. Name 3 famous (or infamous) descendants of Esau.
4. What is the end for the children of Esau?

Lesson Seven



Temples: Past, Present, & Prophetic

Not even evil rulers can get in the way of God's Eternal Plan

The world stage is set for the time of the end, and the alignment of the nations is in place. So believers should get their hearts right, live purely and work productively for the Lord, and unbelievers should make certain they are prepared to meet God.

Overview of Lesson Seven

I. Temples Past

- *The Tabernacle (a prototype) - Exodus 25-28*
- *Solomon's Temple 987 - 587 B.C.*
- *The Second Temple 515 B.C. - 70 A.D.*

II. Temple Present

- *The gold-domed building*

III. Temples Prophetic

- *The Tribulation Temple*
- *Messiah's Temple*

IV. Jesus Christ and the Seven Jewish Feasts

Follow Along Outline

TEMPLES – PAST, PRESENT AND PROPHETIC

The Lord chose Zion for His eternal dwelling place and for His Temple. - *Psalm 132:13, 14*

Messiah's Temple that Jesus Christ will build is detailed in scripture. - *Ezekiel 40-46*

Temples Past

- ▶ **Solomon's** Temple – It was destroyed by Nebuchadnezzar in 587 B.C.
- ▶ The **Second** (rebuilt) Temple – It was completed in 515 B.C.

Zechariah was prophesying at the time. From him we learn that it took **25** years for the Jewish people to finish re-building the old temple in 515 B.C. when they should have done it in two or three years. They got more involved in building their own houses instead of God's house.

Jesus Christ tells Zechariah that He is aggressively possessive (**jealous**) for the city of Jerusalem and for Zion. - *Zechariah 1:14*

He is very sorely displeased with those who are **arrogantly** secure in controlling the Temple Mount, the location where He is going to come back. - *Zechariah 1:15*

Temple Present

- ▶ The gold-domed building that today stands on the spot where the first and second Temple stood was built in 691 A.D. (over 1,300 years ago). The first Temple stood there for 400 years, and second Temple **600** years.



Temples Prophetic

- ▶ Jesus tells Zechariah He will return to Jerusalem and **build** His Temple. He is speaking of a time yet future. - *Zechariah 1:16*
- ▶ The **Branch** is one of the names for Jesus Christ. He will be ruler of the entire universe, a Kingdom that will last forever. He will also be the high priest after the order of Melchizedek. - *Zechariah 1:16*

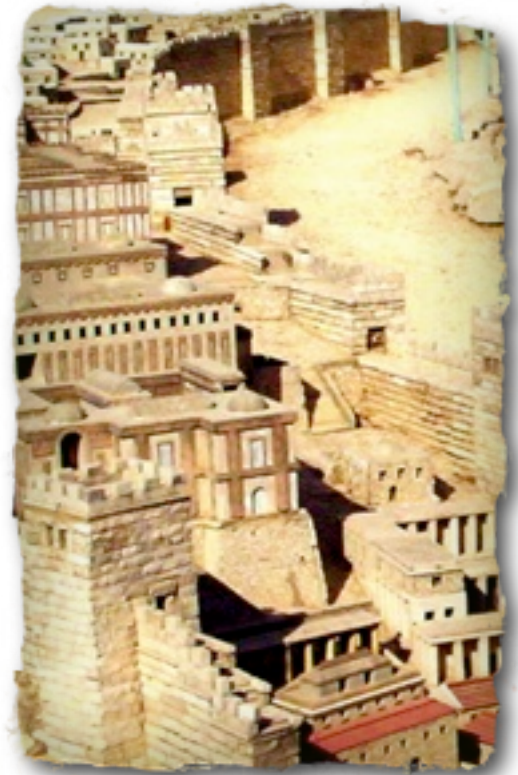
The Tabernacle – the prototype for the coming Temples

- ▶ The **Ark** of the Covenant - *Exodus 25:10*
- ▶ The **table** of showbread - *Exodus 25:23*
- ▶ The golden **candlestick** (menorah) - *Exodus 25:31*
- ▶ The **veil** of fine twined linen blue, purple, & scarlet. - *Exodus 26:1*
- ▶ The **garments** of the priesthood. - *Exodus 28:2*

The Tabernacle was a portable worship center used for 40 years of wilderness wandering and 350 years at Shiloh in Samaria. The **Philistines** took the Ark of the Covenant for seven months because Israel corrupted themselves. The Philistines were afflicted with hemorrhoids and gave the Ark back. After 120 years King David brings the Ark to Jerusalem. Then King Solomon builds the first Temple.

Solomon's Temple

- ▶ It is built at Jerusalem in Mount **Moriah**.
- *II Chronicles 3:1*
- ▶ King David purchased the **threshing** floor of Ornon the Jebusite which was at the peak of Mount Moriah. It is where God created Adam, where Abraham brought Isaac and offered him, where the Holy of Holies is, where Solomon would build that Temple.
- ▶ From II Chronicles 3 to II Chronicles 36, **400** years pass. Then Nebuchadnezzar of Babylon destroyed that Temple.



The Second (Rebuilt) Temple

- ▶ God raises up **Zerubbabel** for leadership and Haggai and Zechariah for teaching, preaching and prophesying to the Jews to build the house of God.
- ▶ This second Temple would stand for 600 years until its devastation in **70** A.D. by the Roman army under General Titus.
- ▶ When Titus announced to his troops, "Go for the **gold**", there was not one stone left upon another in fulfillment of Jesus' prophecy.

What was God's plan in this?

- ▶ All the **genealogies** were destroyed.
- ▶ The sacrificial system would cease. Yom Kippur, the day of atonement, would only cover their sins for one year. Jesus' **sacrifice** takes away sin completely.

The Seven Jewish Feasts

The Feasts are for the Jews, not for Christians. But Christians can learn from them.

The Four Spring Feasts - Fulfilled in the first coming of Jesus Christ

- ▶ The Passover – Jesus was **crucified**.
- ▶ The Unleavened Bread which speaks of separation – Jesus was **buried**.
- ▶ The First Fruits (the barley harvest) – Jesus was **resurrected**. - *Leviticus 23 & I Corinthians 15*
- ▶ Pentecost – the coming of the **Holy Spirit** to teach and lift up Jesus Christ.



The Three Fall Feasts - These will be fulfilled in the second coming of Jesus Christ.

- ▶ Rosh Hashanah, the feast of **Trumpets**, will be fulfilled when Jesus Christ steps back on the earth. - *Matthew 24:31*
- ▶ Yom Kippur (ten days later), the day of **atonement**. Much happens during those 10 days.
- ▶ All the **nations** of the world (100 million soldiers) are gathered in Jerusalem. Zechariah 14. This begins the campaign of Armageddon that starts in Jerusalem. Jesus steps down. The Mount of Olives opens up, and that gives a prepared valley for these armies to go 97 miles to Megiddo in the Jezreel Valley to prepare for the final battle.
- ▶ Meanwhile, Jesus is going to **rebuild** the city of Jerusalem (Ezekiel 40:5) that is currently 8.5 square miles. The new Jerusalem will be 50 miles wide and 50 miles long. That is 2,500 square miles. Tel Aviv to the Jordan River is about 76 miles. Ezekiel 45 and Zechariah 14. It is going to be lifted up.
- ▶ Above that is going to be the **Temple Mount** that will be about a mile square. Currently it is about the size of three football fields. Ezekiel 40-46 tells us the Temple will stand 21 stories (2,100 feet) high. This is Messiah's Temple, the prophetic Temple.
- ▶ Then Jesus goes to the battle field of **Armageddon** in the Jezreel Valley. Blood will flow as high as the horse's bridle for 176 miles - the exact distance between Megiddo to the entrance of Petra.
- ▶ Then Jesus gathers the 1/3 of all the Jewish people who are protected at **Petra** and brings them back to Jerusalem. Two thirds of the Jewish people had been killed. Zechariah 13:8. Where do Jesus and these returning Jews enter the city? It is by way of the Eastern Gate. Ezekiel 43:4. How long will they be there? Forever. Ezekiel 43:7. No more will Israel defile God's Holy Name. Jesus walks into the Holy of Holies on the day of Yom Kippur to become High Priest after the order of Melchizedek.

How does Jesus' high priestly ministry differ from all His earthly predecessors?

- ▶ They were allowed to enter the Holy of Holies once a year with a **sacrifice** that would cover their sins and the sins of the people for one year. Jesus Himself was the sacrifice that took away sin once for all. - *Hebrews 9:24-27*
- ▶ Jesus never walked into the Holy of Holies during His first coming. He took His blood into the Holy of Holies in the original Temple in Heaven. - *Hebrews 8*
- ▶ Yom Kippur was the day of atonement for the Jewish people, their **national** salvation.
- ▶ Passover was **individual** salvation.

The Feast of Tabernacles – four days after Yom Kippur

- ▶ At the Mount of Transfiguration Peter wanted to erect three tabernacles (Sukkoths – a thatched hut they would live in while traveling in the wilderness). The Feast of **Tabernacles** would last seven days and is representative of the Kingdom.

How the Fall Feasts relate to the Second Coming of Christ.

- ▶ Rosh Hashanah, the Feast of Trumpets – Jesus **returns** to the earth.
- ▶ Yom Kippur, the day of Atonement – Jesus walks into the **Temple**.
- ▶ The Feast of Tabernacles – The **Millennial Kingdom** begins.

Messiah's Temple

What are the differences between the Tabernacle, the first and second temples and Messiah's Temple?

- ▶ No wall of **partition** that separates the Gentiles from the Jews. Jesus made them both one giving all access to the Temple.
- ▶ No table of **shewbread** – Jesus is the bread of life. - *John 6*
- ▶ No **lamp stand** (menorah) – Jesus is the light of the world. - *John 8, 9, 11*
- ▶ No **veil** – It was rent from top to bottom when Jesus Christ was crucified, giving us access into the Holy of Holies.
- ▶ No **Ark** of the **Covenant** – It was a model of Christ no longer needed because He is there.

The Tribulation Temple

- ▶ It will be a replica of **Herod's** Temple.
- ▶ There will be restitution of the **sacrificial** system in this Temple. - *Ezekiel 45*
- ▶ The seven year Tribulation period begins when the Antichrist confirms a covenant with Israel. In the midst of this time he causes the sacrifices to cease, walks into the Temple and sits down in the Holy of Holies and claims to be god. This is the **Abomination** of **Desolation**. Hence, there must be a Temple in this time period. - *Daniel 9:27; Matthew 24:15; II Thessalonians 2:4 and Revelation 11:.*
- ▶ This Temple will stand where that gold-domed building is today and could be built in six months.

Current Preparations for the Next Temple

- ▶ 28,000 **priests** are needed to operate the Temple. They have been called to Jerusalem.
- ▶ They need special **garments** made out of one piece of cloth. They are in storage.
- ▶ They need 4,000 **implements** (the Mizrock, a picture shaped item made of pure gold or pure silver) used to pour out the blood from the sacrifices). They have them.
- ▶ They have the table of **shewbread**, the altar of incense, and the menorah.
- ▶ King David called for 4,000 ten stringed **harps**. They have them, the first ones made in Jerusalem in 2,000 years. The Talmud says that when a ten string harp shows up in Jerusalem, it is time for the coming of the Messiah.
- ▶ In 2005 the Sanhedrin, the group that operates the Temple and elects the high priest, met in Tiberius. A spokesperson for them said, "We have **elected** the high priest."
- ▶ Two rabbis have seen the **Ark** of the **Covenant**.

Conclusion

1. Am I like Israel in the days of building the second Temple – more concerned about my agenda than God's agenda for my life? What adjustments must I make? With whom can I share the Gospel?
2. All preparations for the Tribulation Temple have been made ready. Never in the history of the world has everything been ready for this Temple.
3. Only one thing must happen before this Temple goes up, and that is the rapture of the church. Am I ready?
4. If so, how then should I live? I should live like every day is the day of the rapture. Who can I tell about Jesus today? I will make a list of my top five, pray, and then proclaim the good news to them.

Think About This!

1. List the past Jewish Temples.
2. What is the role of the seven Jewish feasts to the Christian?
3. Name two of the feasts that Jesus Christ fulfilled in His first coming.
4. Name two of the feasts that Jesus Christ will fulfill in His second coming.
5. List the two future Temples.

Thank you for studying with us!

We hope this study has been a help to you!

At the School of Prophets Institute, and our parent ministry Shofar Communications, Inc. it is our mission to educate the church about the glorious good news of the soon coming return of Jesus Christ. It is our sincere prayer and desire that the CD series and workbook have been a help to you in your walk with Christ. The knowledge of the immanency of the Rapture should motivate us all to live pure, Christ-centered lives, and lovingly and urgently reach the lost, so our friends, family, neighbors, and coworkers won't have to suffer through the judgments covered in this study.

For further study...

We have a number of other videos, audio series, books, websites, radio broadcasts, and other study materials available to help you on your further studies of God's prophetic Word. Please check out our online bookstore - www.prophecybookstore.com for other materials, and Jimmy DeYoung's website - www.jimmydeyoung.com - for his other prophecy focused ministries.

God bless you, and thanks once again for choosing to study with us the ever closer scenario for the End Times that is laid out in God's prophetic Word. Remember, the Rapture of the Church could take place at any moment, so let's keep looking up... Until.

School of Prophets Institute

PO Box 2510

Chattanooga, TN 37409

(423) 825-6247

www.schoolofprophets.org